

FARMVILLE UNITED METHODISTCHURCH



God's Calling for FUMC: For the Glory of God - Empowered by the Holy Spirit - We Passionately Seek God's Truth and Boldly Share the Grace and Love of Jesus Christ.

March 2018



What's Happening at FUMC!!

Page 1~

Message from Pastor Steve

Page 2 ~

Daylight Savings Time Begins

Away Day - Bingo

Food Pantry Month

UMW News

UMM News

Page 3 ~

Visiting Ministry Information

Flowers for Cross

Blood Drive

Birthdays

Prayer Request

Back Page ~

Youth Picture

Inserts ~

Schedule of Service

Calendar for March

Kid's Page

Message from Pastor Steve.....

“Be strong and courageous.” This is the word of the Lord to Joshua and the Israelites upon the death of their leader Moses. It becomes essentially a mantra in the Book of Joshua, repeated five times. Moses had led these people through their best days and their worst. He led them through danger, hunger, temptation, and doubt. Moses had been there for generations, proclaiming the will of the Lord and leading God’s people in right paths, sometimes pleading with God not to wipe the wicked and rebellious completely from the earth, for who would remain? Even in his own personal and spiritual lows, Moses was always reminding his people of the faithfulness of God, no matter what. And then all too quickly he was gone, leaving the people to march on without him, strong and courageous.

For many of us, especially those who have lived through the dramatic ups and downs of the 20th century’s latter half: the Cold War, the assassinations of a president and numerous other leaders of our nation and world, the three longest wars in American history (Vietnam, Afghanistan, and Iraq) the dismantling of oppressive and racially discriminatory “Jim Crow” laws, social and economic turmoil, and the accelerating age of the internet, throughout many generations, the Rev. Billy Graham remained an always steady voice proclaiming to us again and again the gospel of our Lord. Perhaps in some ways he was like our Moses- a flawed man, a sinner like the rest of us, and yet a great leader and a prophet of God. Regardless of the world’s chaos, Rev. Graham kept prodding us along toward God’s Promised Land.

Many of you may have chosen to follow Jesus for the very first time at Rev. Graham’s invitation. Personally, I continue to review many of his writings and sermons to hear a fresh word from the Lord, and his zeal for reaching the lost challenges me every day. But now he has finished his earthly ministry among us. His voice and guidance among us will be terribly, and awfully missed. But to you, whatever this still new century holds, I say be strong and courageous. For the Kingdom of God does not grind to a halt when any human leader dies. We march onward still, strong and courageous, proclaiming the death and resurrection of Jesus until he returns or calls us home.

Yours in Christ,

Pastor Steve Dunn

WORSHIP SCHEDULE
for Holy WEEK

Community Lenten Services during Holy Week will be held at 12:05pm. Lunch follows at 12:30.
Mon., March 26 – First Christian Church, Rev. Rocky Stone, pastor of the Farmville Presbyterian speaking.
Tue., March 27 – Farmville UMC, Rev. Rick Bailey, pastor of the First Baptist Church speaking.
Wed., March 28 - First Baptist Church, Rev. Kevin Deibert, pastor of the First Christian Church speaking.

Maundy Thursday Service – Mar. 29 at 7:00pm
Good Friday Service – Mar. 30 St. Elizabeth Catholic Church at 6:00pm; Praying the Stations of the Cross
EASTER SUNDAY ~April 1 ~ SUNRISE SERVICE, 6:30am, Farmville Presbyterian Church
 Pastor Stephen Dunn Speaker
Farmville UMC – EASTER SUNDAY SERVICES at 8:30am and 11:00am

LENTEN OFFERING –Methodist Home for Children - UMCOR

Funds raised through the Lenten offering will be **designated to the Methodist Home for Children and UMCOR** (United Methodist Committee on Relief). We ask for you to return your folder/box or a check for the Lenten offering by Easter Sunday.



Time to Spring Ahead
 Savings Time begins, Sunday, March 11.

DAYLIGHT SAVINGS BEGINS
 Remember to set you clock ahead one hour on Saturday night. Daylight



The FUMW met on Feb. 19. Nancy Harris did a program presented years ago by Pat Hart. Kay Crossan served a delicious dessert. Darlene Gaynor presided and Ann Joyner recorded minutes.

This year, 2018, money has been donated to several organizations - \$500 to Farmville Soup Kitchen, \$500 to Backpack Pals, \$200 to H.B. Sugg Community Center and \$250 to the Youth Sunday School Class. \$500 was also matched in Nov. for the Methodist Children's Home.

The women of FUMC are cooking and serving a Lenten lunch for our community on Tuesday, March 27 after the service at our church. Polly and Irene are planning the menu.

Please mark your calendar to help with meals on wheels March 19 - 23.



AWAY DAY – BINGO – MARCH 6

The Away Day Group will meet Tuesday, March 6 at 10:00am and will enjoy a game or two of **BINGO**. If you have any items we could use for prizes, please bring them by the church office. We hope you will join us for a fun time, good refreshments, and great fellowship.



MARCH IS FOOD PANTRY MONTH FOR FUMC

The Farmville Benevolent Ministries distributes food to the needy each Tuesday. As part of the FBM, our month to supply the canned food is March. We especially need canned **meat**, (spaghetti O's, ravioli, peanut butter, vienna sausage), **soup** (no cream soups and broth), **fruit** (peaches, pears), **baked beans or macaroni and cheese**. We will be collecting through Sunday, March 25, when we will bless the food. Please place items in the grocery cart by the information desk. Thank you.



On Monday, March 5, at 6:30pm the Methodist Men will meet & eat with the men at Monk Memorial church. No March meeting at FUMC. Methodist Men's BBQ chicken fundraiser planned for Saturday, April 28. More details to follow.



Looking to make a few new friends?

For the past two years, we have included several senior and special needs adults in our Christmas Angel tree ministry. It has brought so much joy to our church to hear brief stories of the lives touched by our simple acts of generosity. Some of us have openly wondered what if we move beyond yearly giving and into true friendship? How much greater could our joy become?

We will soon begin making regular brief visits to several of the folks from our angel tree. We could possibly play simple games, sing songs, or just sit and talk- whatever you're comfortable with. Regardless of your age, gender, or any other factors, we want you to join us! Dates and times are flexible and can accommodate most schedules. **Please contact Pastor Steve Dunn or Cindy Parks** for more information or to join us on one of our first visits.



FLOWERS FOR THE CROSS
Easter Sunday – April 1

Please bring fresh flowers for our cross in the Sanctuary on Easter Sunday. You may place your flowers on the cross any time before the 11:00am service begins. The children will place their flowers on the cross during the Sunday School hour.



FARMVILLE COMMUNITY
BLOOD DRIVE
SUN. APRIL 15 – at FUMC

POWER in the BLOOD – Sun. April 15 - 12:00pm - 4:00pm. Volunteers are needed; call the church office if you are willing to help. Blood supply in Pitt County is very low, go on line and sign up today.



- MARCH BIRTHDAYS**
- March 1: Jo Ann Lang
 - March 2: Rufus Cochran
 - March 5: Vickie Herring, Dan Lauderdale
 - March 12: Pat Sumrell
 - March 17: Hilda B. Medlin**
435 NW Rutland Rd. #203
Mt. Juliet, TN 37122
 - March 18: Sandra Parker
 - March 25: Jessica Allen, Julie Warren
 - March 26: Zane Mazingo
 - March 28: Margo Sherman
 - March 30: Suzanne Edwards



Please Be In Prayer For... Rufus

- Cochran** (health), **Tracey Smith** (health), **Minnie Lee Winborn** (health), **Billy & Gray Baker** (health), **John Sherman** (health), **Mary Allen** (peace), **Jean Padgett**, (healing), **Wendy Little** (healing), **Janice Wilkerson** (healing), **Jackie Stevenson** (healing), **Laura Whitehurst** (healing), **Eric Thomas** (recovery), **Vickie C. Hope** (health), **Tyler** (healing), **Evelyn Stevens** (health), **Melody McKeel** (healing), **Bob Hodge**, (healing), **Elsie Hill**, (healing), **Johnny Asher Eastwood** (healing), **Jatha Jenkins**, (healing), **Andrew Parks** (healing), **Kristin Sanford Harriett Baker** (recovery) **Logan Barnes** (healing).



March 2018

USHERS/GREETERS

8:30am Service

- Mar. 4: Robert Heath
- Mar. 11: Sarah Peterson
- Mar. 18: Randy Erwin
- Mar. 25: Dwayne Benfield

11:00am Service

- Mar. 4: David Monroe
- Mar. 11: Garland Mazingio
- Mar. 18: Buzzy Wells
- Mar. 25: Brad Durrett

ALTAR FLOWERS

- Mar. 4: Brad & Tracie Durrett
- Mar. 11: Charles & Hassell Eason
- Mar. 18: Debra Evans
- Mar. 25: Palm Sunday - UMW

ACOLYTES

- Mar. 4: Meghan Williams
- Mar. 11: Ushers
- Mar. 18: Ushers
- Mar. 25: Ushers

SANCTUARY GREETERS

- Mar. 4: Jean Allen & Kay Crossan
- Mar. 11: David & Harriett Baker
- Mar. 18: Brad & Tracie Durrett
- Mar. 25: Charles & Hassell Eason

WELCOMING GREETERS

- Mar. 4: Garland & Connie Mazingo
- Mar. 11: Rachel Patterson & Anita Powell
- Mar. 18: Margo Sherman & Debra Evans
- Mar. 25: David & Marion Stowe

KID'S KORNER

- Mar. 11: Julie Kingrey
- Mar. 18: Teresa Parent
- Mar. 25: Mike Wainwright

Children's Message

- Mar. 11: Brad Durrett
- Mar. 18: Tracie Durrett
- Mar. 25: Pastor Steve

Nursery

- Mar. 4: Paula Tugwell & Mae Dunn
- Mar. 11: Brad & Tracie Durrett
- Mar. 18: Mary Monroe & Emily
- Mar. 25: Kirkie Williams & Meghan

Fellowship Dinners

- Mar. 7: UMW - Group 2
- Mar. 15: UMW - Group 3
- Mar. 21: Youth
- Mar. 28: Covered Dish

Statistical Report January 2018

Ave. Sunday School Attendance -----	28
Ave. Worship Attendance -----	79
Ave. Offerings-----	\$10,344.66
Need to Date-----	\$41,783.04
Raised to Date-----	\$67,211.97



**Spring
Is Coming**



Kid's Page

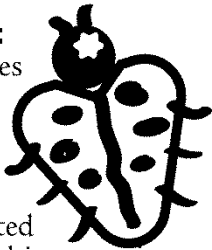
March 2018

FRUIT LADYBUGS

Get creative in the kitchen with this sweet springtime snack.

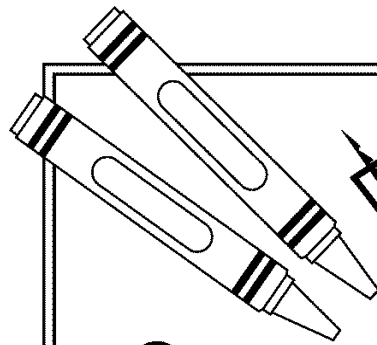
What you need:

- Strawberries (washed)
- Knife
- Plate or wax paper
- ½ cup melted chocolate chips
- Zippered baggie
- Scissors
- Blueberries (washed)
- Adult help



What you do:

1. De-stem the strawberries. Cut in half and then cut a small V atop each half to make the ladybug body. Set them on a plate or wax paper.
2. Place the melted chocolate in a baggie and cut off the tip of a bottom corner.
3. Pipe a dividing line and "spots" on each strawberry. Also use the chocolate to attach a blueberry "head" by the V shape.
4. Pipe chocolate antennas and legs onto ladybugs.
5. Let harden. Enjoy!



PUZZLE

Spring's Beauty

During springtime, the beauty of God's creation emerges in many ways.

Directions: Use the vowel code below to complete Psalm 8:1, NIV.

A = E = I = O = U =

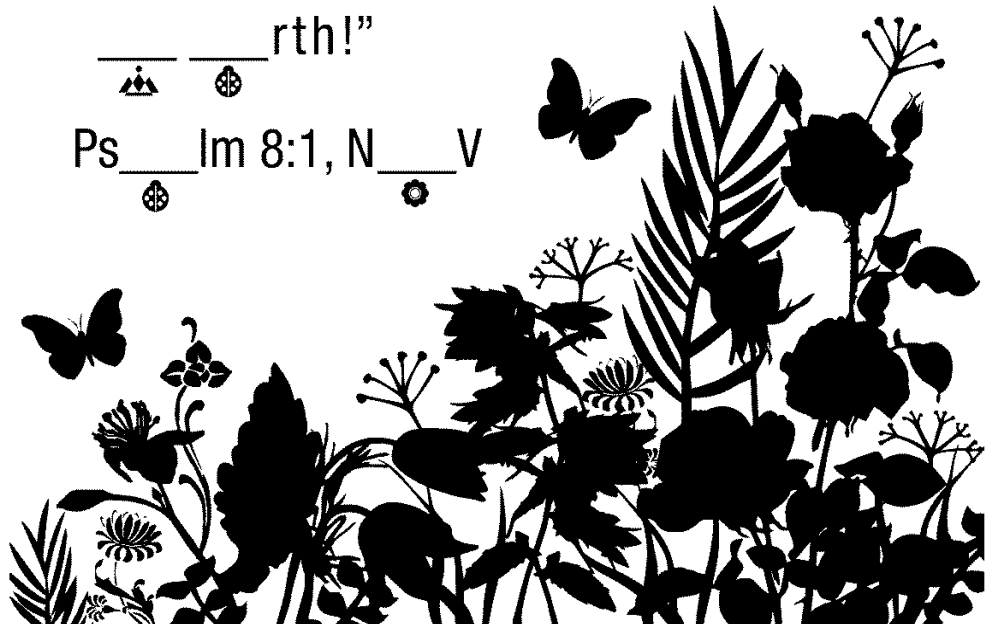
"L__RD, __ r L__rd, h__w
↑ ↑ ↑ ↑

m__j__st__c __s y__r
⊙ △ ⊙ ⊙ ⊙ ↑ ↑

n__m__ n __ll th__
⊙ △ ⊙ ⊙ △

__rth!"
△ ⊙

Ps__lm 8:1, N__v
⊙ ⊙



Answer: "LORD, our Lord, how majestic is your name in all the earth!"
Psalm 8:1, NIV



MYF joined forces with Farmville Presbyterian Youth with a total of 43; a good time was had by all!

Farmville United Methodist Church
P. O. Box 153, Farmville, NC 27828-0153
Phone 252-753-4803
E-Mail – church@farmvilleumc.com
Webpage: www.FarmvilleUMC.com

Return Service Requested

Pastor: Rev. Stephen Dunn – sdunn@nccumc.org
Admin. Assist.: Nan Walston – chuch@farmvilleumc.com
Organist/Music Director: Drucilla Lamm – choir@farmvilleumc.com
Youth Director: Hunter Walters - youth@farmvilleumc.com
Children's Ministry – Melody Ballard – children@farmvilleumc.com
Praise Team Leader: Aubrey Digh – praiseteam@farmvilleumc.com

March 2018



				1	2	3
3rd Sunday of Lent 4 8:30am Praise & Worship 9:30am Fellowship & Refreshments 10:00am Sunday School 11:00am Traditional Worship 6:00pm Youth	5	6	7	8	9	10
		10:00am Away Day 2:00pm Bible Study 6:00pm Church Safety 7:00pm Men's Group	6:00pm Fellowship Dinner UMW Group 2 7:00pm Bible Study 7:00pm Choir Rehearsal			
4th Sunday of Lent 11 8:30am Praise & Worship 9:30am Fellowship & Refreshments 10:00am Sunday School 11:00am Traditional Worship 6:00pm Youth 	12	13	14	15	16	17
	6:30pm UMMen	2:00pm Bible Study 2:00pm Men's Group	6:00pm Fellowship Dinner UMW Group 3 7:00pm Bible Study 7:00pm Choir Rehearsal			St. Patrick's Day
5th Sunday of Lent 18 8:30am Praise & Worship 9:30am Fellowship & Refreshments 10:00am Sunday School 11:00am Traditional Worship 6:00pm Youth	19	20	21	22	23	24
	7:00pm UMWomen	2:00pm Bible Study 7:00pm Men's Group	6:00pm Fellowship Dinner 7:00pm Bible Study 7:00pm Choir Rehearsal			
Palm Sunday 25 8:30am Praise & Worship 9:30am Fellowship & Refreshments 10:00am Sunday School 11:00am Traditional Worship 6:00pm Youth 	26	27	28	29	30	31
	12:05pm Lenten Worship First Christian Church 7:00pm Administrative Council	12:05pm Lenten Worship FUMC 2:00pm Bible Study 7:00pm Men's Group	12:05 pm Lenten Worship First Baptist Church 6:00pm Fellowship Dinner COVERED DISH 7:00pm Bible Study 7:00pm Choir Rehearsal	Maundy Thursday 	Good Friday	