

# FARMVILLE UNITED METHODISTCHURCH



## Opportunities to Serve the Lord

August 2015



“Very Warm” Greetings...and may God's grace and peace be with you!

As I ride around the Farmville surrounding area...the fields of corn, soy beans, tobacco and cotton seem to glow in the sunsets of the day...and are just waiting--!

And as I look at them while passing by, my mind reflects upon the words of Jesus in the Gospel of Luke 10:2, as he talked to the seventy he had appointed to go forth by two's into the cities: **"The harvest is plentiful, but the workers are few..."**

It reminds me, as we prepare for fall with our kick-off Sunday on August 30<sup>th</sup>, that as we look at this newsletter and it is still very much summertime...your church staff and ministry helpers have been very busy preparing for our Church's fall agenda of ministry, missions, classes and programming activities, the need has not changed from before summer! The harvest of needs, offering hope and encouragement, sharing God's love and serving as His example to others... still continues to be plentiful!

All of God's children inherit a share in God's work of planting seeds, watering, and watching fruit grow for God's kingdom! **And it is true...**as we have heard so many times before—**Jesus has no hands, feet or voice but yours!**

How often have we delayed the work of God because of our own preoccupation with things & busyness?

This coming year will provide a harvest of opportunities at Farmville UMC for each of us to plant, water and help bring in the harvest!

Just as the fields are waiting for the workers to gather in the harvest of the corn, soy beans, tobacco and cotton...so our Lord is waiting for you to help reap what has been sown in the fields of the Farmville community and surrounding area!

**It is something each of us needs to be intentional about every day...tending to our share of God's fields—which have been entrusted into our loving care!**

Do you want to work with our heavenly Father this fall, in harvesting His fields? There is a sign for all of us to see at Farmville UMC this fall:

**HELP WANTED :  
Harvesters**

Are you willing to work for the Lord this year? Through your faith, Jesus has appointed you to go forth! **Will you?**

I pray so...take care....peace....

Pastor Bill

### WHAT'S INSIDE!...

Front --

Message from Pastor  
Bill

Page 2 -

Finance Update  
Special offering  
Youth Sunday-Fun  
Activities-Cookout  
Away Day Group  
Farmville Cancer Care  
Ministry Open House  
Back Pack Pals  
Community Men's Group

Page 3—

UMMen's Meeting  
UMMen's Project  
Youth News  
About our Congregation  
UMW Event  
Volunteers Needed  
Thank You Note

Back Page -

Christmas Boxex  
Birthdays this Month  
Prayer Rquest

Inserts -

Our Service, Calendar  
& Kid's Page

## SUMMER FINANCE UPDATE

### FUMC'S Mid-Year Financial Update

Our mid-year financial statement ending June 30<sup>th</sup> reveals that we are short

meeting our financial obligations at this time. A variety of reasons can explain the shortfall, however, we are still short. We really do understand that times are challenging, and ask you to continue praying about our church's financial situation and strive to fulfill your commitment to the Lord and help as much as possible. We thank you for your commitment to our Lord and His Church at FUMC and would also ask that you be in prayer for a successful upcoming Stewardship Campaign ...God bless! - Finance Committee



### SPECIAL OFFERING FOR "STOP HUNGER NOW"

Sunday, **August 2**, we will have a special offering for "Stop Hunger Now."

### YOUTH SUNDAY ~ FUN ACTIVITIES ~ COOK OUT

Sunday, **August 30**, Youth Sunday, Combined Worship at 11:00. At **2:30pm** we will gather for fun activities and to prepare "Stop Hunger Now" Meals followed with a cook out.



### "AWAY DAY" WEDNESDAY ~ AUGUST 5 ~ 10:00AM

Our next gathering will be August 5. The group will meet at the church at 10:00am to travel to the Simply Natural Creamery near Ayden. Come join us, we have fun!



### FARMVILLE CANCER CARE MINISTRY "OPEN HOUSE"

Farmville Cancer Care Ministry will hold an "Open House" **on Sunday, August 16 at 3pm** here at FUMC to inform the community of what we are all about, as we begin building hope, love and support to all affected by Cancer. (There will be a short presentation at 3:30pm).

This is for everyone that has been, or is affected by cancer, patients & families, caregivers.



### Back Pack Pals

I can't believe it but August is upon us. THUS time to think about going back to school. This includes getting ready to begin making backpacks for children who may well have gone hungry many days this summer. Thought maybe I would remind you now and you could start purchasing items for our "FILL THE PEW" Sunday in early September. Listed below are the items needed to go in the backpacks. REMEMBER ALL ITEMS NEED TO BE INDIVIDUAL SERVING WITH POPTOPS whenever possible.

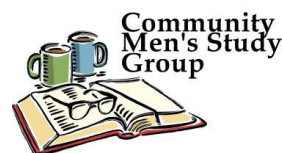
- Cereal Individual serving
- Breakfast bars
- Poptarts
- Pudding cups
- Individual fruit cups
- 100% juice box or pouches
- Apple sauce
- Vienna Sausage
- Peanut butter
- Spaghetti
- Potted meat
- Wieners and beans
- Ravioli
- Pretzels
- Animal crackers
- Square crackers
- Small packs of nuts
- Cheese crackers
- Granola bars

Any individual items that provides good nutrition and is packaged.

If you need to bring items to church before "Fill the Pew" Sunday, just drop off but be sure it bag is labeled Backpacks.

As Christians we are told to take care of "the least of these." The children that these backpacks go to weekly are definitely in that category.

Any question just call me. Thank you, Irene Pollard.



### COMMUNITY MEN'S STUDY GROUP BIBLE CONTINUES!

Please make the time to come and bring a friend. Bring your Bible. I look forward to seeing all of you Tuesday night at 7:00 at Farmville United Methodist, in the Church Parlor. God Bless, Todd



The UMMen's Supper meeting,  
Monday, August 10 at 7:00pm  
All men are invited. Come join us  
for good food and great fellowship.



**UPCOMING UNITED  
METHODIST WOMEN'S  
EVENT, AUGUST 22**

Sound District Day Apart, Guest  
Speaker - Rev. Dr. Carolyn Roy,  
Richlands United Methodist Church.  
Rev. Roy is no stranger to the

Sound District. She has served churches at Dover-Shady Grove Charge & Belgrade-Tabernacle Charge. As an ordained elder, she currently serves as pastor of Plank Chapel in Kittrell NC. Dr. Roy has a passion for community as we are called by Christ to live into the kingdom of God. She is passionate about peace & reconciliation. She firmly believes that through reconciliation we can be a power for the transformation of the world. Lunch will be served for those reserving a meal. Cost - \$5.00 each. Menu: Deli Sandwiches, Salads, Beverage & Dessert. Send your remittance to Criss Allen - Sound District Treasurer - 503 Brynn Marr Rd., Jacksonville, NC 28546 Phone # - 910-353-3966 - DEADLINE for meal reservations-August 10th. Registration forms go the Conference website, [www.nccumc.org](http://www.nccumc.org), to register.



**FUMC Men's  
"NEED A HAND?" Project.**

Do you need a hand doing simple repairs around your home? Putting batteries in smoke detectors, or your toilet leaks, an outlet is broken, or your window is cracked and needs to be replaced? If you need a hand, call me at 520-822-7547 or send me an email [rcheath54@gmail.com](mailto:rcheath54@gmail.com) and I will contact a skilled worker to assess and assist. The help is free, we only ask you pay for the parts. This is not for emergencies.

We are looking for volunteers to help do the repairs; you don't have to be male. Anyone is welcome to help us help each other. Call or email me. PEACE! Robert



The lock-in will be August 7th starting at 7PM for all youth 6-12 grades. I have a fun filled event planned. If anyone needs more info please contact me.

**Youth Sunday August 30th.**

The Youth will lead both services this Sunday.

**Rally at the Refuge, August 22, 2015**

Faith, Fun, and Fellowship – Food, Canoeing, Hayrides, Fishing, and Jason Leighton will lead Worship. The cost is \$20 per person.  
Hunter Walters, Youth Director



Births –  
**.Karis Lee Cochran**, born June 25, 2015 is the daughter of Rufus and Brittany Cochran.

They reside at 313-B S. Square Dr. Winterville, NC 28590.

**Aubrey Renae Cleveland**, born July 28, 2015 is the daughter of Bryan Cleveland and Jasmine Crocker. They reside at 2564 Wesley Church Rd., Farmville, NC 27828. The fraternal grandparents are Dan and Ann Rogers.



**VOLUNTEERS ARE NEEDED .....**

Volunteers are needed in several areas of worship, **Kid's Korner, Children's Message, Nursery, and Information Desk** after Traditional Service. Also, we are once again in need of **Sunday School teachers for our Jr/Sr youth!** Please consider this calling for a very important part of our church family. If you are willing to give your time to help with these very important needs, please go by the information desk and sign up, or call the church office.



**Thank You Note**

Robert & Wanda Hancock wish to express to each of the FUMC members how truly thankful we are for your thoughts and prayers during Robert's illness. He is growing stronger every day and we are thankful for God's grace and the family we have at FUMC. The food you brought to us was exceptional, and helped Robert get back on his feet sooner. There is no way that we will ever be able to express our gratitude to you all. During his surgery you all said a prayer for him on January 25 during your service. Perhaps you did not even know that as you prayed, he was going through the most difficult part of his surgery. Your prayer was heard and answered. We are so proud to be a part of such a wonderful family.



## **AGAPE CHRISTMAS BOXES FOR ARMENIA**

It is time once again to begin

filling Christmas boxes for Armenia. For several years, the NC Conference has adopted Project AGAPE Christmas boxes as a conference-wide mission project. Please join us in 2015, as we fill plastic gift boxes with expressions of Christ's love to send to the children of Armenia. Project Agape began in 1993 as a collaborate effort of the NC & Western NC Conferences and the Armenian Apostolic Church to provide religious humanitarian assistance. As in past years, we request you follow the **Agape Christmas Packing List**. (on the information desk) You do not need to include every item on the list and are free to add other age-appropriate items. You are also asked to include a \$5 (check or cash) to help cover the cost of shipping. Personal notes of greeting and pictures of you family or church group also are welcome. (See the instruction sheet for more details.)

**Christmas Box Drop Off Dates – early to mid-October. The collection point for the Project AGAPE Christmas boxes is the Mission Warehouse in Goldsboro weekdays (only) from 9 AM-5 PM.** If you have questions, please contact Rev. Bill Haddock, Conference Mission Interpreter at 910-262-3831 [orrevbillh@nccumc.org](mailto:orrevbillh@nccumc.org).

## **Birthdays of the Month**



- August 4: Luke Warren
- August 6: Margaret Wells
- August 14: Catherine Tugwell
- August 16: Tommy Hardy
- August 20: Karen Sledge

- August 23: Mildred Carraway, Leona Kilpatrick
- August 26: Bill Hall
- August 28: Sheri Von Schrilta
- August 31: Erin Grimes, Bert Warren, Jr.



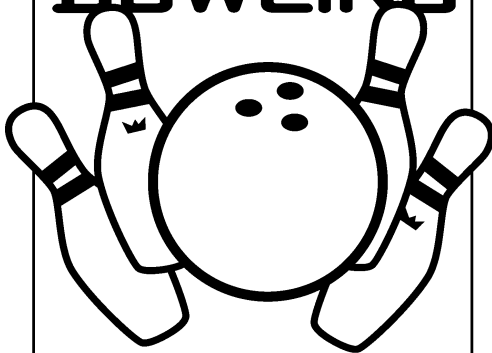
## **Please Be In Prayer For...**

**Rufus & Evangeline Cochran** (health), **Tracey Smith** (health), **Minnie Lee Winborn** (recovery), **Nellie Lang** (health), **Frank Powell** (healing), **Kirsten Baker** (health), **Billy & Gray Baker** (health), **Graceleigh Harper Hood & Family** (healing), **Lynnette Williams** (healing), **John Sherman** (healing), **Victims of Disasters, Carroll Oakes** (recovery), **Jesse Braxton** (healing), **Frank Hemmingway** (healing), **Christian witnesses around the world** (safety & courage) **Dylan Riggs** (healing), **Savannah Pollard** (healing), **Jan Cannon** (healing), **Ronnie Wainwright** (healing), **Lynn Joyner**, (healing), **Stanley Vick** (healing), **Lisa Housley** (healing), **Roxie Smith** (healing), **Henry Fields** (healing), **Harry Lamm** (healing), **Laura Whitehurst** (recovery), **Dan Webb** (healing), **Karen T. Wende** (healing), **Jean Padgett** (health), **Jean Price** (healing), **Bill Monk** (healing), **Vickie Herring** (healing), **Leona Kilpatrick** (healing), **Tammie Frizzell** (healing), **Wayne Copeland** (healing), **Diane Norville** (healing). **Mary Lib Moore** (healing), **Kern Sanford** (father of Sally Davis) **Johnnie & Jennifer Allen** (healing), **Arthur & Jackie Stevenson** (recovery), **Ashley Hunt** (10 year old, healing), **Mark May** (healing), **Lena Stokes** (healing), **John Jablonski, Jr.** (healing), **Al & Amy Hunt** (healing, Pastor's Bill's neighbor) **Leonard Ange**, (healing), **Angela Banks, Mitzi Moye** (healing), **Pat Sumrell** (recovery). **Amy Wilson** (healing, mother of Nancy Wilson), **the family of Diane Norville** (grief).



August 2015

# GLOW- IN-THE- DARK BOWLING



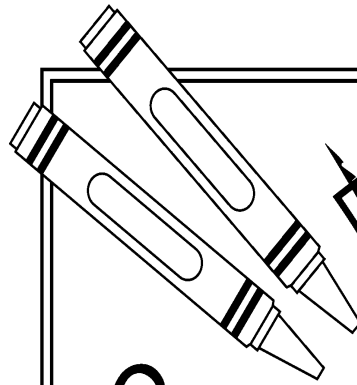
Make this fun summer game to play at the beach, a park or in your yard.

### What you need:

- 10 empty plastic bottles (same size)
- 10 or more glow sticks
- Water (optional)
- Star stickers (optional)
- Hamster ball (or regular ball)
- Tape

### What you do:

1. Place one or two activated glow sticks in each bottle. Fill bottles with water and decorate with star stickers, if desired. Screw on lids.
2. Put some glow sticks inside the hamster ball. Screw the halves together, and secure sides and lid with tape.
3. Challenge someone to a game of bowling. For the best glowing effect, play after dark.




# PUZZLE

## Summer's gifts

Summer brings longer days, warmer nights and – for many people – time spent near water. Complete this puzzle to find out who's behind all those summertime joys.



*Directions: Read Jeremiah 31:35 (NIV) below. Draw a  around words describing God's actions. Draw an  around words that describe day. Underline words that describe evening. Draw  under words that describe the ocean.*

He who appoints the sun to shine by day,  
who decrees the moon and stars to shine by night,  
who stirs up the sea so that its waves roar ...



*Directions: Circle the capital letters. Then write them from left to right on the lines below to reveal God's name in this Bible verse.*

i t T w H s p j E k e m a b L f g O h b c R d  
e D q r s t c e a t o n a h f z z v u A w y L  
a v n M q z l s k y z G u w H h m o T k j k Y



\_\_\_\_\_  
\_\_\_\_\_



Answer: The LORD Almighty



## August 2015 & Calendar

---

### USHERS -

Aug. 2: Bob Ginn  
 Aug. 9: Tommy Hardy  
 Aug. 16: Walter Jessup  
 Aug. 23: Chuck Johnson  
 Aug. 30: Youth  
 Sept. 6: David Monroe

### ALTAR FLOWERS

Aug 2: Cindy Parks  
 Aug 9: Lewis Family  
 Aug 16: Nancy Harris  
 Aug 23: Rachel Patterson  
 Aug 30: NO Flowers  
 Sept. 6: Frank & Anita Powell

### ACOLYTES

Aug. 2. Savannah Reel  
 Aug. 9: Molly Williams  
 Aug. 15: Lance Smithwick  
 Aug. 23: Bailey Walters  
 Aug. 30: Youth  
 Sept. 6: Molly Williams

### SANCTUARY GREETERS

Aug. 2: Tommy & Beth Hardy  
 Aug. 9: Walter & Nancy Jessup  
 Aug. 16: Chuck & Pam Johnson  
 Aug. 23: Bob & Anne McGaughey  
 Aug. 30: Youth  
 Sept. 6: Margo Sherman & Debra Evans

### WELCOMING GREETERS

Aug. 2: Hunter & Melissa Walters  
 Aug. 9: Kirkie Williams & Girls  
 Aug. 16: David & Harriett Baker  
 Aug. 23: Dwayne & Kirsti Benifeld  
 Aug. 30: Youth  
 Sept. 6: Brad & Tracie Durrett

### KID'S Korner

Aug. 9: Ashlie Boberg  
 Aug. 16: Ashley Matthews  
 Aug. 23: Kim Shovelin  
 Aug. 30 Youth  
 Sept. 13: Mike Wainwright

### CHILDREN'S MESSAGE

Aug 9: Brad Durrett  
 Aug 16: Melissa Walters  
 Aug 23: Maggie Williams  
 Aug. 30: Youth

### NURSERY - INFANTS TO AGE 5

Aug 2: Kirkie Williams & Girls  
 Aug 9: Tracie Durrett & Virginia Tynch  
 Aug 16: Paul Tugwell & Catherine  
 Aug 23: Paul & Erin Grimes  
 Aug. 30: Mary Mornoe & Emily  
 Sept. 6: Kirkie Williams & Girls

---

### Statistical Report for June 2015

Ave. Sunday School Attendance ----- 11  
 Ave. Worship Attendance ----- 91  
 Ave. Offerings ----- \$3,020.00  
 Need to Date ----- \$166,884.60  
 Raised to Date ----- \$148,845.10

# August Calendar

**Sunday, August 2, - Regular Services**

8:30am Praise & Worship  
9:30am Fellowship & Refreshments  
10:00am Sunday School  
11:00am Traditional Worship

**Tuesday, August 4**

7:00pm Community Men's Group

**Wednesday, August 5**

10:00am "Away Day" - Road Trip  
Creamery near Ayden.

**Friday, August 7**

7:00pm Youth Lock-in

**Sunday, August 9 -**

8:30am Praise & Worship  
9:30am Fellowship & Refreshments  
10:00am Sunday School  
11:00am Traditional Worship

**Monday, August 10**

7:00pm UMMen's Supper Meeting

**Tuesday, August 11**

7:00pm Community Men's Group

**Sunday, August 16**

8:30am Praise & Worship  
9:30am Fellowship & Refreshments  
10:00am Sunday School  
11:00am Traditional Worship

**Monday, August 17**

6:30pm Administrative Council

**Tuesday, August 18**

7:00pm Community's Men's Group

**Thursday, August 19**

6:30pm Finance Committee

**Saturday, August 22**

UMWomen Event  
Youth Rally At the Refuge

**Sunday, August 23**

8:30am Praise & Worship  
9:30am Fellowship & Refreshments  
10:00am Sunday School  
11:00am Traditional Worship

**Tuesday, August 25**

7:00pm Community Men's Group

**Sunday, August 30 - Youth Sunday**

10:00am Sunday School  
11:00am Combined Worship  
2:30pm Fun Actives - prepare  
"Stop Hunger Meals" & Cook Out

Other meetings & activities will be  
scheduled when dates are available.



**STOP HUNGER NOW®**

**SPECIAL OFFERING  
SUNDAY, AUGUST 2**