



FARMVILLE UNITED METHODIST CHURCH

"A NEW YEAR, NEW OPPORTUNITIES TO SERVE GOD"
February 2015



WHAT'S INSIDE!

Page 2 - Church Directory
United Methodist Women
United Methodist Men
Children's Ministries
UMYF
"Away Day"

Page 3 -
Board of Trustees
Welcoming Fellowship
Prayer Request
Birthdays

Back Page
NC Advocate
Summer Camps

Inserts -
February Service
Calendar
Kid's Page

Continued Winter Greetings...and may God's grace and peace be with you...

As I mentioned some Sundays ago, one of the email devotions I subscribe to is called "Prime Time with God". It is free and offers great daily prayers, reflections and scripture! A few weeks ago, while reading the following reflection, I began thinking and praying about its message. What if O' Lord...you took my place as pastor of Farmville UMC for a year... what might you do differently? Then I started to think about each of us in our congregation at FUMC, in our homes and families...O' Lord what might you do differently in taking our place for a year? How would things be changed here at FUMC, within our homes, within the Farmville community...around the world?

So here is the reflection. I invite you to ponder the question and answer within your own life...your church family...your own family...

**"What would happen if Jesus took your place for a year in your workplace?
Let's consider some hypothetical things He might do.**

He would do His work with excellence. He would be known around the office for the great work He did (Exodus 31:2).

He would develop new ideas for doing things better (Ephesians 3:20).

He would hang out with sinners in order to develop a relationship with them, in order to speak with them about the Father (Matthew 9:12).

He would strategically pray for each worker about their concerns and their needs. He would pray for those who even disliked Him (Matthew 5:44).

He would rally the office to support a needy family during Christmas (Jeremiah 22:16).

He would offer to pray for those who were sick in the office and see them get healed (Matthew 14:14).

He would honor the boss and respect him/her (Titus 2:9).

He would consider the boss as His authority in His workplace (Romans 13:1).

He would be truthful in all His dealings and never exaggerate for the sake of advancement (Psalm 15:2).

He would be concerned about His city (Luke 19:41).

He would always have a motive to help others become successful, even at His own expense (Proverbs 16:2)."

Today God is First (TGIF) devotional message, Copyright by Os Hillman, Marketplace Leaders

Hmm...thoughts to ponder! Sounds like some good ways each of us could model, as we strive to follow Jesus! I'd be interested in your reflective thoughts...

Stay warm...Take care...peace...

Pastor Bill



Church Directory Information -(E-mail release)

We hope that you all have enjoyed our recent directory that was released this past January! If you are not listed, please let Nan or Jean Price know and we will happily add you!! You do not have to be a member, though we would love for you to become an "official" member of FUMC!! We will be "merging" our old e-mail list with the new e-mails that are now listed in the church directory! You will receive weekly updates for our church as well as any immediate prayer requests!!! Please check your "junk or spam" folders daily until you have "accepted" our church

email address of farmvilleumc@farmvilleumc.com

If you DO NOT wish to receive e-mails in this manner please let Nan know by Feb 15th!!!! The FUMC e-mail list is never sold or given to any "outside" vendors!!!!!!

If you have any questions or concerns, updates, etc. please let Nan or Jean know and we will happily help you!!!



Circle III will meet February 16 at Ann Joyner's home. Nancy Jessup

will give the program.

Circle III has Wednesday night fellowship meal on February 11. We will serve chicken tetrazzini, green beans, applesauce, desert, and tea.

Any UMW that has helped prepare food or serve at the ECU Wesley Foundation is invited to an appreciation dinner on Thursday, March 5th at 6 PM. The meal will be followed by praise and worship in their auditorium. Please let Debra or Joy know if you would like to attend before Monday, March 2.

Circle IV will meet February 16 at the home of Pat Sumrell. We will be having our pledge service.



The UMMen's Supper Meeting, Monday, February 9 at 7:00pm. All men are invited, come join us for good food and great fellowship.



Hello all,
Our next children's activity will be in the parlor on the 8th and the 15th of February during the early service and will last until 10 am!

Verse memorization will be on the 15th so please pick up your verses!

Also, if you have a child or grandchild who is interested in being a part of the children's ministries program please email me at children@farmvilleumc.com and I will add you to my email list!

Player Eason, Director of Children's Ministries



The past month has been a whirlwind as I try to learn everyone's names and faces. I have greatly enjoyed the

welcoming I have received at Farmville UMC and look forward to getting to know you all more in the future. As we move into February the UMYF of Farmville will begin a 6-week series study using the book titled The 6 Most Important Decisions You'll Ever Make by Sean Covey. Each week we will focus on the different aspects of life as a teenager, and where these decisions begin to prepare the way for the future. One of the most important aspects of who we are as adults is decided by the decisions, habits, and values we establish in our teens. I am really excited about this series and hope that you all are just as excited.

The plans to attend the Beacon District Beach Retreat were unable to come to fruition. We did not have enough interest in our group, and I didn't want to leave anyone behind. We have a Sound District Youth event that we will be attending on Saturday March 21st in Greenville, NC. The event is an awareness outreach "Skeeter Run" to promote the United Methodist Church's cause Imagine No Malaria.

I am looking forward to continuing this journey with the congregation of Farmville UMC, and the Youth.

Blessings and Peace to you all!

~Angela H. Banks



"Away Day"
Seniors and Older Adults
Fellowship Gathering – Wed,
February 4 at 10AM

"Away Day" (away from your normal activities) is for seniors and older adults to meet and enjoy a time of fellowship. **Join us from 10:00-12:00am in the Fellowship Hall for fellowship, fun & light refreshments. If you can't come at 10:00, come when you can.** We are looking forward to continue this new ministry for our senior and older adults. If you would like to help with this ministry for our senior and older adults, please call the church office. We can always use an extra pair of hands.



Board of Trustees

UP-Date from the Board of Trustees

Hello church members. The B-o-T just wanted to provide you with an update concerning the renovation project currently underway. As of mid-January the roof and HVAC have been replaced, "punch-listed" and paid for. Our next steps have involved various issues regarding diverting rain water AWAY from the church. We hope you see and agree with the wisdom of protecting our foundation before we possibly jeopardize future investment and renovation. The water diversion projects, certainly unforeseen but in our estimation necessary, have diverted much needed funds, as well as slowed our "inside" start time. We are now ON OUR WAY to beginning the Education Wing, Fellowship Hall, hallways, Library and church offices. We ask you please remain patient with this process. We are doing our best to ensure that when complete, this project will be met with positive reviews, while also making our church building structurally sound, presentable in appearance, and ready to continue doing the Lord's work. Thanks, B-o-T



Welcoming, Fellowship Friends Needed

Our goal is to have guests experience the love of Christ through us and to have them desire to return for worship again. We need your help!

We would like to compile a list of members from both services, who would be willing to make contact with guest after they visit us. We hope to match guest with FUMC member of similar interest, ages, same age children, and other common links. The FUMC members would figuratively "adopt" the guest, informing them of any programs and opportunities offered by our church, such as Sunday School, choir, UMM, UMW, Youth, etc. If you would be willing to help our church in this very important ministry or have any questions, please call the church office. We hope you will prayerfully consider how you can help all who enter FUMC experience God's love.

In the near future, we plan to set up an information table with gifts for our guest when they leave with information about our church and its many activities. We will need volunteers for this also. Please contact the church office if you are interested in helping.

Prayer Request For

...Rufus & Evangeline Cochran (health), **Tracey Smith** (health), **Minnie Lee Winborn** (recovery), **Nellie Lang** (health), **Frank Powell** (recovery), **Billy & Gray Baker** (health), **Kirsten Baker** (healing), **Kailey Eaton** (healing), **Jeff Albritton** (healing), **Graceleigh Harper Hood & Family** (healing), **Lynnette Williams** (healing), **John Sherman** (recovery), **Victims of Disasters**, **Carroll Oakes** (recovery), **Jesse Braxton** (recovery), **Frank Hemmingway** (healing), **Christian witnesses around the world** (safety & courage) **Dylan Riggs** (recovery), **Savannah Pollard** (healing), **Jan Cannon** (healing), **Ronnie Wainwright** (healing), **Lynn Joyner**, (recovery), **Stanley Vick** (recovery), **Nathan** (healing), **Lisa Housley** (recovery), **Roxie Smith** (recovery), **Henry Fields** (recovery), **Joyce Smith** (healing), **Laura Whitehurst** (recovery), **Harry Lamm** (healing), **Dan Webb** (healing), **Martha Allen** (strength), **Etna Lewis** (health), **Karen T. Wende** (healing), **Jean Padgett** (health), **Jean Price** (healing), **Bill Monk** (recovery), **Vickie Herring** (healing), **Leona Kilpatrick** (healing), **Tammie Frizzell** (healing), **Robert Hancock** (recovery, husband of Wanda Hancock), **Dick Crossan** (healing), **Wayne Copeland** (recovery) **Diane Norville** (healing), **Mary Lib Moore** (healing).

Address for Leona Kilpatrick (this is her daughters address)

Leona Kilpatrick, c/o Dr. Kathryn Cheek, 231 Cascade Rd., Columbus, GA 31909



- Feb. 1: Joan Ginn, Cyndi Lauderdale
- Feb. 2: Ronald Carraway
- Feb. 11: Diane Warren
- Feb. 13: Pam Johnson
- Feb. 14: Janet Clontz
- Feb. 15: Nancy Harris
- Feb. 16: Bob Ginn
- Feb. 17: Nicole Hall
- Feb. 21: Ronald Parker



Thank You Note

Dear Sponsors,

Thank you for the wonderful sponsorship of Dixon House residents at Christmas. A very special thanks to Cindy Parks and Luke Garner for all you did to make everything just perfect.

Sincerely,
Rhetta O'Quinn,
Adult Home Specialist



Register for Summer Camps – “Forming the Inside, Outside.”

You can register for 2015 Summer Camp now. Registering early assures that you get the week and camp you prefer. Go to the website of the camp of choice or call the camps to get registered. Camp Chestnut Ridge www.campchestnutridge.org 919-304-2178; Camp Don Lee www.donleecenter.org 252-249-1106 ext. 27; Camp Rockfish www.camprockfish.org 910-425-3529 ext. 2



February is North Carolina Christian Advocate Month.

The NC Christian Advocate is a periodical that connects you to information concerning matters of the United Methodist church on the national, conference, district and local level. The goal of the NC Christian Advocate is to help keep local church members and pastors informed by offering news about national events as well as local church and conference news. These articles and features can be used as tools for teaching, learning, and inspiration. If you are interested in subscribing to or more information about the North Carolina Christian Advocate, please call the church office.

Return Service Requested

Farmville United Methodist Church
P. O. Box 153, Farmville, NC 27828-0153
Phone 252-753-4803
E-Mail – church@farmvilleumc.com
Webpage: www.FarmvilleUMC.com

Pastor: Rev. Bill Price – pastor@farmvilleumc.com
Admin. Assist.: Nan Walston – chuch@farmvilleumc.com
Organist/Music Director: Drucilla Lamm – choir@farmvilleumc.com
Youth Director: Angela Banks - youth@farmvilleumc.com
Praise Team Leader: Aubrey Digh – praise@farmvilleumc.com
Children Director – Player Eason – children@farmvilleumc.com



February 2015

USHERS

Feb 1: Jay Annis
 Feb. 8: David Baker
 Feb. 15: Dwayne Benfield
 Feb. 22: Brad Durrett
 Mar. 1: Charles Eason

ALTAR FLOWERS

Feb. 1: Paul & Erin Grimes
 Feb. 8: Charles & Nan Walston
 Feb. 15: Joyce Hardy
 Feb. 22: Bob Paul & Sue Hardy
 Mar. 1: Tommy & Beth Hardy

ACOLYTES

Feb. 1: Savannah Reel
 Feb. 8: Molly Williams
 Feb. 15: Lance Smithwick
 Feb. 22: Bailey Walters
 Mar. 1: Savannah Reel

SANCTUARY GREETERS

Feb 1: Walter & Nancy Jessup
 Feb. 8: Chuck & Pam Johnson
 Feb. 15: Bob & Anne McGaughey
 Feb. 22: Hilda Medlin & Rahcel Patterson
 Mar. 1: David & Mary Monroe

WELCOMING GREETERS

(Sunday School Entrance)

Feb 1: Newton & Lisa Smith
 Feb. 8: David & Marion Stowe
 Feb. 15: Mike & Paula Tugwell
 Feb. 22: Tynch Family
 Mar. 1: Walters Family

CHILDREN'S MESSAGE

Feb 8: Tracie Durrett
 Feb. 15: Lindsay Annis
 Feb. 22: Brad Durrett
 Mar. 8: Melissa Walters

KID'S Korner

Feb. 8: Ashlie Boberg
 Feb. 15: Kim Shovelin
 Feb. 22: Ashley Matthews
 Mar. 8: Teresa Parent

NURSERY - INFANTS TO AGE 5

Feb 1: Kirkie & Maggie Williams
 Feb. 8: Tracie Durrett & Virginia Tynch
 Feb. 15: Paula & Catherine Tugwell
 Feb. 22: Paul & Erin Grimes
 Mar. 1: Mary & Emily Monore

FELLOWSHIP DINNERS

Feb 4: UMMen
 Feb. 11: Circle III
 Feb. 18: Circle IV
 Feb. 25: Youth
 Mar. 4: Covered Dish

BACK PACK PALS SCHEDULE

(Pack bags on Wednesday of each week)

Feb 4: Youth
 Feb. 11: Monroe Family
 Feb. 25: Margaret wells & Friends
 Mar. 4: Youth

Statistical Report December 2014

Ave. Sunday School Attendance ----- 23
 Ave. Worship Attendance ----- 90

Statistical Report for January 2015

Ave. Sunday School Attendance----- 21
 Ave. Worship Attendance----- 112
 Ave. Offering ----- \$8,416.64
 Need to date ----- 22,351.28
 Raised to date ----- 33,666.57



CALENDAR

Sunday, February 1 - Communion

8:30am Praise and Worship
9:30am Fellowship & Refreshments
10:00am Sunday School
11:00am Traditional Worship
2:30-3:30pm UMYF Meeting

Tuesday, February 3

6:00pm Nominations & Leadership
7:00pm Community Men's Group

Wednesday, February 4

10:00am Away Day
6:00pm Fellowship Dinner - UMMen
6:15pm Children's Choir Rehearsal
6:45pm Board of Trustees
7:00pm Chancel Choir Rehearsal
7:00pm Praise Team Rehearsal

Thursday, February 5

6:30pm Worship Committee Meeting

Sunday, February 8

8:30am Praise & Worship
8:30-10:00am Children's Activity
9:30am Fellowship & Refreshments
10:00am Sunday School
11:00am Traditional Worship
5:00pm Jr. Hi UMYF
6:00pm Sr. Hi UMYF
7:00pm Youth Fellowship Dinner

Monday, February 9

7:00pm UMMen's Supper Meeting

Tuesday, February 10

7:00pm Community Men's Group

Wednesday, February 11

6:00pm Fellowship Dinner - Circle III
6:15pm Children's Choir Rehearsal
7:00pm Chancel Choir Rehearsal
7:00pm Praise Team Rehearsal

Sunday, February 15

8:30am Praise and Worship
8:30am Children's Activity
9:30am Fellowship & Refreshments
10:00am Sunday School
11:00am Traditional Worship
5:00pm Jr. Hi
6:00pm Sr. Hi
7:00pm Youth Fellowship Dinner

Monday, February 16

7:00pm Circle III
7:00pm Circle IV

Tuesday, February 17

7:00pm Community's Men's Group

Wednesday, February 18

6:00pm Fellowship Dinner - Circle IV

Thursday, February 19

6:00pm Finance Committee

Sunday, February 22 - 1st Sunday in Lent

8:30am Praise & Worship
9:30am Fellowship & Refreshments
10:00am Sunday School
11:00am Traditional Worship
5:00pm Jr. Hi
6:00pm Sr. Hi
7:00pm Youth Fellowship Dinner

Monday, February 23

6:30pm Administrative Council

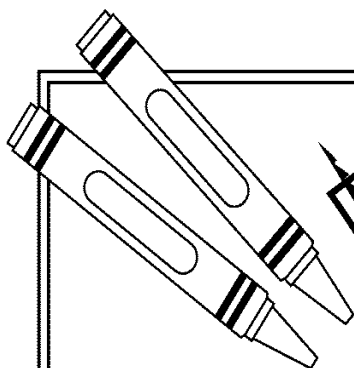
Tuesday, February 24

7:00pm Community Men's group

Wednesday, February 25

6:00pm Fellowship Dinner - Youth
6:15pm Children's Choir Rehearsal
7:00pm Chancel Choir Rehearsal
7:00pm Praise Team Rehearsal

JUST FOR KIDS

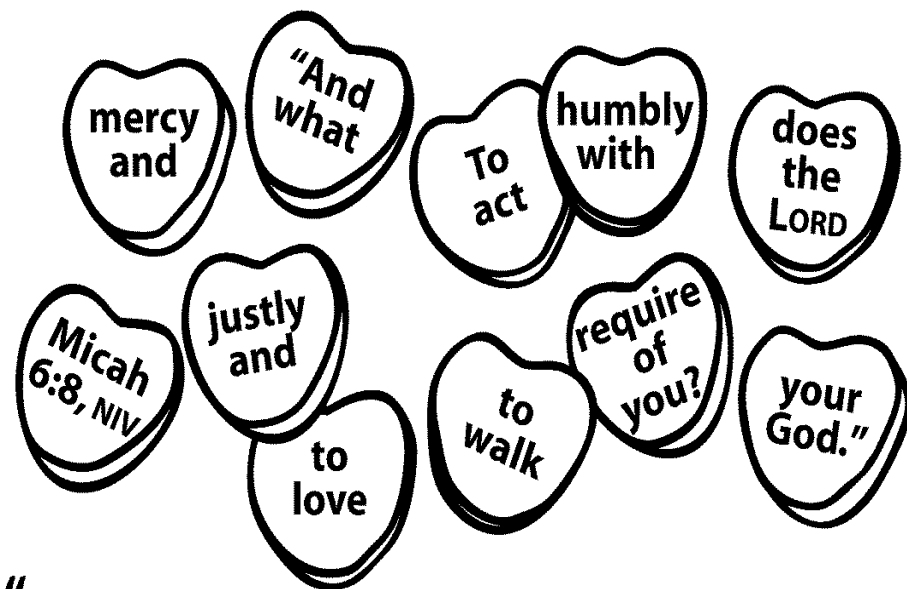


PUZZLE

Conversation hearts

The world encourages people to look out for themselves and seek success, but in Micah 6:8, God tells us to live differently.

Directions: Put the conversation hearts in the correct order by writing the words on the lines below. Hint: Capitalization and quotation marks are included.



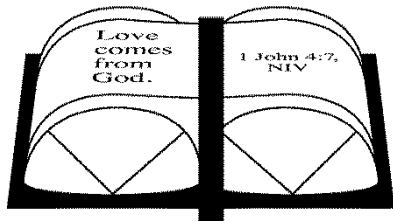
" _____
 _____ ? _____

 " _____ 6:8 _____

GOD'S

SWEET WORD

Share this Bible treat — and God's love — with a special valentine.



What you need:

- Black card stock or construction paper (2" x 1.5")
- Double-sided tape
- 2 wrapped Hershey's Nuggets candy bars (silver or gold)
- Pen or marker
- White paper (2.75" x 1")
- Thin sliver of red paper or ribbon
- Scissors

What you do:

1. In the center of the black paper, tape down the candy bars side by side.
2. On the white paper, write a short Bible verse about love. Then wrap it around the candy bars horizontally and tape it down.
3. Place the red paper or ribbon between the two candy bars, and tape the top of this "bookmark" to the Bible.
4. Give away this fun, sweet message of God's love!